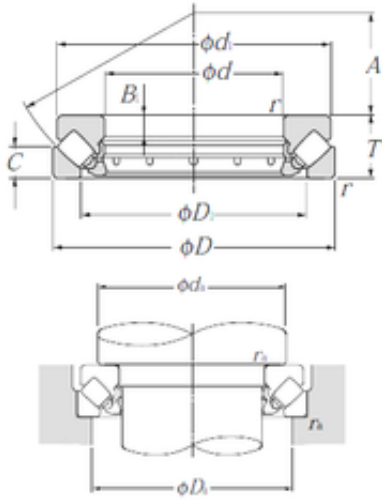




China 6203 Bearing Supplier



29396 NTN Thrust Spherical Roller Bearing

Bearing No. 29396

Size	480x730x150 mm
Bore Diameter	480 mm
Outer Diameter	730 mm
Width	150 mm
d	480 mm
D	730 mm
T	150 mm
B1	51 mm
C	72 mm
d1	705 mm
r min.	6 mm
A	270 mm
D1	590 mm
da min.	595 mm
Da max.	650 mm
ra max.	5 mm
Weight	228 Kg
Basic dynamic load rating (C)	4 200 kN
Basic static load rating (C0)	18 700 kN

29396 Bearing 2D drawings and 3D CAD models