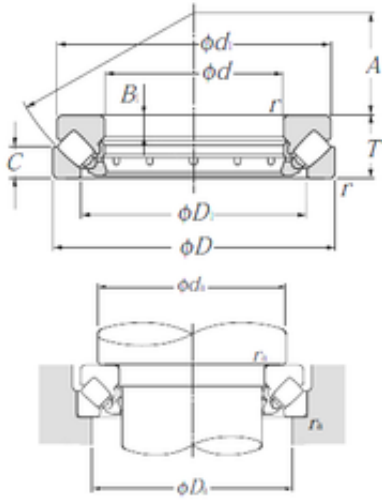




## China 6203 Bearing Supplier



### 29288 NTN Thrust Spherical Roller Bearing

Bearing No. 29288

Size	440x600x95 mm
Bore Diameter	440 mm
Outer Diameter	600 mm
Width	95 mm
d	440 mm
D	600 mm
T	95 mm
B1	30 mm
C	49 mm
d1	585 mm
r min.	5 mm
A	235 mm
D1	508 mm
da min.	510 mm
Da max.	545 mm
ra max.	4 mm
Weight	79,6 Kg
Basic dynamic load rating (C)	2 150 kN
Basic static load rating (C0)	10 900 kN

29288 Bearing 2D drawings and 3D CAD models