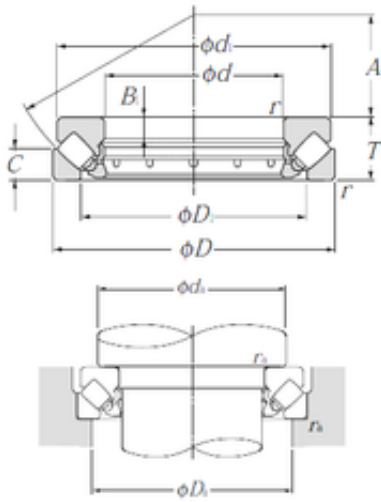




China 6203 Bearing Supplier



29264 NTN Thrust Spherical Roller Bearing

Bearing No. 29264

Size	320x440x73 mm
Bore Diameter	320 mm
Outer Diameter	440 mm
Width	73 mm
d	320 mm
D	440 mm
T	73 mm
B1	21 mm
C	38 mm
d1	430 mm
r min.	3 mm
A	172 mm
D1	372 mm
da min.	375 mm
Da max.	400 mm
ra max.	2,5 mm
Weight	33,5 Kg
Basic dynamic load rating (C)	1 260 kN
Basic static load rating (C0)	5 800 kN

29264 Bearing 2D drawings and 3D CAD models