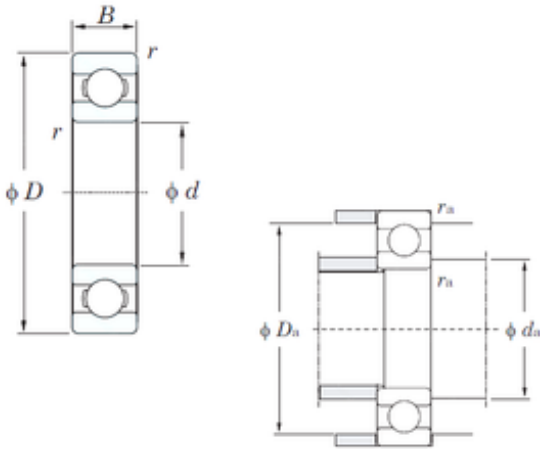




## China 6203 Bearing Supplier



6302 Bearing 2D drawings and 3D CAD models

### 6302 Wholesale High Performance Low Noise Deep Groove Ball Bearings KOYO

Bearing No. 6302

Size	15x42x13 mm
Bore Diameter	15 mm
Outer Diameter	42 mm
Width	13 mm
d	15 mm
D	42 mm
B	13 mm
C	13 mm
r min.	1 mm
da min.	20 mm
Da max.	37 mm
ra max.	1 mm
Weight	0,082 Kg
Basic dynamic load rating (C)	11,4 kN
Basic static load rating (C0)	5,45 kN
(Grease) Lubrication Speed	17000 r/min
(Oil) Lubrication Speed	20000 r/min
Category	Single Row Ball Bearings
Inventory	0.0
Manufacturer Name	KOYO
Minimum Buy Quantity	N/A
Weight / Kilogram	0.092
EAN	0605790071560
Product Group	B00308
Enclosure	Open



## China 6203 Bearing Supplier

Precision Class	ABEC 1   ISO P0
Maximum Capacity / Filling Slot	No
Rolling Element	Ball Bearing
Snap Ring	No
Internal Special Features	No
Cage Material	Steel
Internal Clearance	C0-Medium
Inch - Metric	Metric
Long Description	15MM Bore; 42MM Outside Diameter; 13MM Outer Race Diameter; Open; Ball Bearing; ABEC 1   ISO P0; No Filling Slot; No Snap Ring; No Internal Special Features
Category	Single Row Ball Bearing
UNSPSC	31171504
Harmonized Tariff Code	8482.10.50.68
Noun	Bearing
Keyword String	Ball
Manufacturer URL	<a href="http://www.koyousa.com">http://www.koyousa.com</a>
Manufacturer Item Number	6302
Weight / LBS	0.202
Outside Diameter	1.654 Inch   42 Millimeter
Outer Race Width	0.512 Inch   13 Millimeter
Bore	0.591 Inch   15 Millimeter
Bearing No.	6302
r(min)	1
Cr	14.3
C0r	5.45
Cu	0.460
f0	12.3
Grease lub.	17000



## China 6203 Bearing Supplier

Oil lub.	20000
da(min)	20
Da(max)	37
ra(max)	1
(Refer.)Mass(kg)	0.082